



LET'S OVERCOME  
OBSTACLES TOGETHER!

[www.hatemlift.com](http://www.hatemlift.com)





DISABLED  
SYSTEMS

SCISSOR TYPE  
PLATFORM

DUMBWAITER

MODULER  
SHAFTS

L CARGASE

LIFT  
ROPES

HOME  
LIFT



# About us

Bringing a brand new perspective to the automation industry in Turkey, Hatem Lift supports its customers with the production technology leaders in the world's automation industry.

Hatemlift, which started its business life with elevator cabin production in 1995, is emerging as a value in the sector in the production of automatic elevator doors with its successful history and rising trend. Behind the success that has been achieved, there is a customer-oriented, productivity-centered management approach. This approach develops not only with material gains but also with an understanding that targets customer satisfaction and benefits the whole society.

Aware of its responsibilities in all areas where it offers solutions, Hatemlift acts with a vision that tries to be a pioneer and an example and contributes to the national economy and employment with its investments. While providing services to our customers with superior technology, brand quality, and dynamic human resources, we aim to increase the value of our brand not only in our country but also in the international arena.

Our values are to ensure product quality and service sustainability, to add value to the customer, and to take development as a guide. Our business understanding is based on ensuring the continuous increase of quality during the production phase rather than the control of quality with each of our employees. We are approaching our goals with the awareness of standardization in production and various national and international quality assurance certificates. Hatemlift will continue to work based on customer satisfaction...





**TR**

ROMANYA  
GÜRCİSTAN  
FRANSA  
ŞİLİ  
KUVEYT  
KATAR  
BİRLEŞİK ARAP EMİRLİKLERİ  
ALMANYA  
KIRGIZİSTAN  
MAKEDONYA  
IRAK  
FİLİSTİN  
UMMAN  
FAS

CEZAYİR  
MAURİTİUS  
SENEGAL  
LÜBNAN  
GANA  
ÖZBEKİSTAN  
İSPANYA  
İSRAIL  
KAZAKİSTAN  
TUNUS  
ENDONEZYA  
NİJERYA  
SUUDİ ARABİSTAN  
İRAN

MISIR  
ÜRDÜN  
KOSOVA  
BAHREYN  
ERMENİSTAN  
AZERBAJCAN  
UKRAYNA  
RUSYA  
AVUSTURYA  
BULGARİSTAN  
SİRBİSTAN  
BİRLEŞİK KRALLIK  
YUNANİSTAN

**EN**

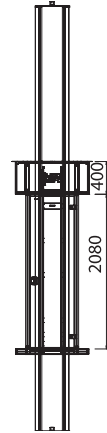
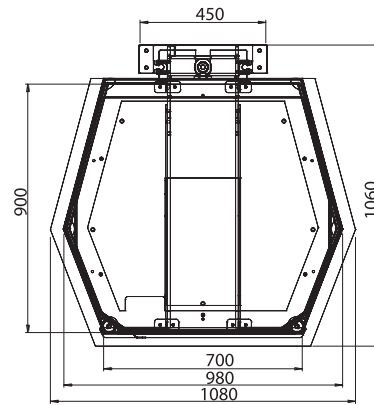
ROMANIA  
GEORGIA  
FRANCE  
CHILE  
KUWAIT  
QATAR  
UNITED ARAB EMIRATES  
GERMANY  
KYRGYZSTAN  
MACEDONIA  
IRAQ  
PALESTINE  
OMAN  
MOROCCO

ALGERIA  
MAURITUS  
SENEGAL  
LEBANON  
GHANA  
UZBEKISTAN  
SPAIN  
ISRAEL  
KAZAKHISTAN  
TUNISIA  
INDONESIA  
NIGERIA  
SAUDI ARABIA  
IRAN

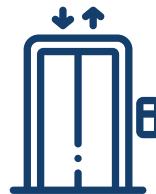
EGYPT  
JORDAN  
KOSOVO  
BAHRAIN  
ARMENIA  
AZERBAIJAN  
UKRAINE  
RUSSIA  
AUSTRIA  
BULGARIA  
SERBIA  
UNITED KINGDOM  
GREECE



**HL 91**  
**VILLA TYPE**  
**HOME LIFT**

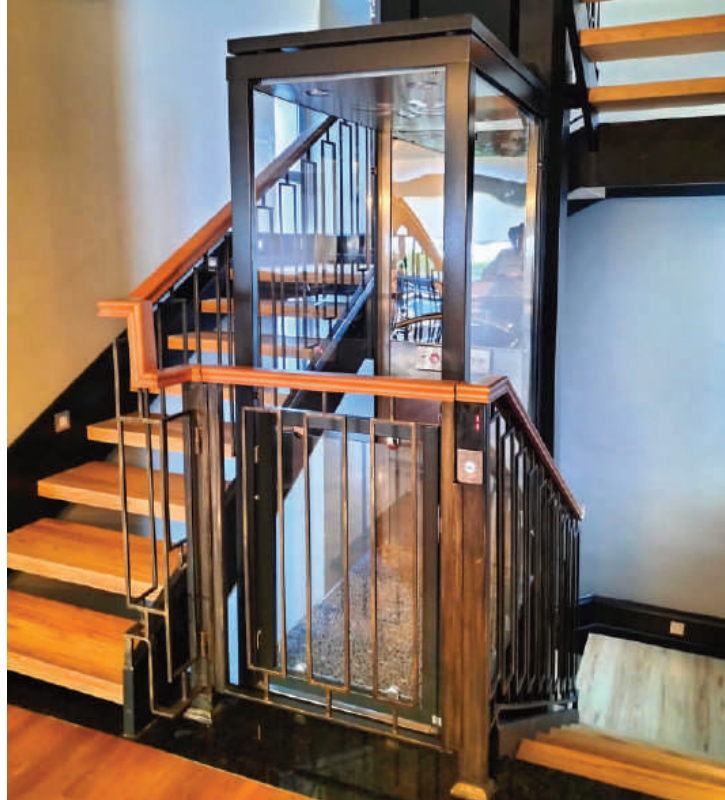


With the pride of being the first and unique in Turkey, you can comfortably move from one floor to another with the Hatem Lift duplex elevator



Hatem Lift duplex elevator is suitable in your two floor house, you can travel easily and comfortably from ground floor to upper floor or vice versa. Unlike a traditional elevator, it is a compact product and does not require significant structural changes at the place of installation, Thus it can be installed almost anywhere in your home. When it is sent up or down, it leaves an empty space through our special design. It is a model designed to make your home look perfect and enjoy the comfortable product every day.

By virtue of the pressure sensitive safety surfaces, it stops the movement when it detects contact from above or below. Break resistant glasses are used. For added safety, the lift will move only when the door is closed and the door does not open during the movement. When the power goes out, the lift will automatically go down to the ground floor with the UPS system.

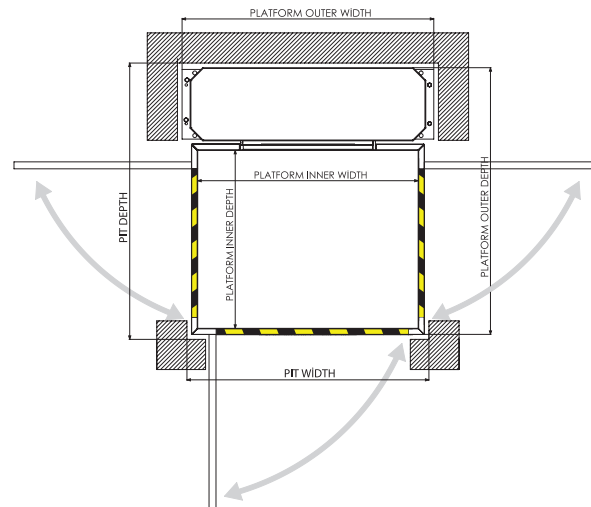
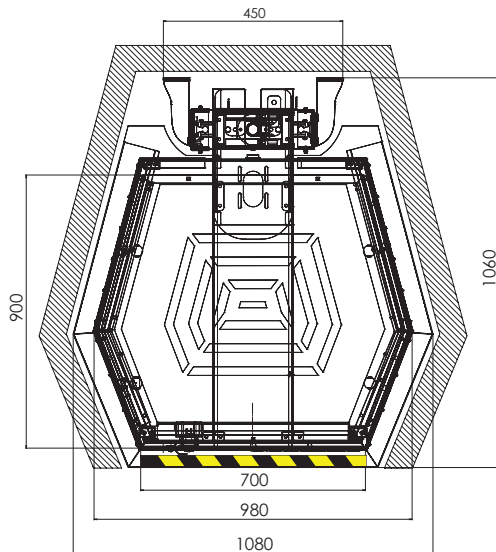


#### TECHNICAL SPECIFICATIONS

|                              |  |
|------------------------------|--|
| Drive System                 | Hydraulic / Screw System               |
| Load Capability              | 250 kg / 2 Persons                     |
| Distance                     | 9 mt                                   |
| Speed                        | 0,15 m/sec                             |
| Platform Internal Dimensions | 750*850 mm / (Special Dimension)       |
| Platform External Dimensions | 1080*1060 mm / (Special Dimension)     |
| Pit                          | None                                   |
| Door                         | Automatic Locking - Safety Switch      |
| Emergency Rescue System      | Ups / Manual                           |
| Announcement System          | 3 Languages / Turkish, English, Arabic |
| Intercom System              | Available                              |
| Main power requirement       | 220 V Ac - 50 Hz -Monofaze             |
| Installation Time            | 2 Days                                 |

# HL 91

## VILLA TYPE HOME LIFT



**TOTAL HEIGHT**  
2.300 mm



**INSTALLATION**  
In 2-3 Days



**POWER SUPPLY**  
220 - 380 v (AC)



**TOTAL SPEED**  
0,15 m/s



**GUARANTEE**  
Years



**FLOOR NUMBER**  
4



**DRIVE SYSTEM**  
Hydraulic - Screw



**TRAVEL HEIGHT**  
9 m



## ELEVATOR STRUCTURE COLOR



RAL 9005



RAL 9016



RAL 7012



RAL 7016



RAL 7032



RAL 7035

SAFETY TOP TABLE



SAFETY SUB-TRAY

## GLASS COLOR OPTIONS



Transparent Glass



Blue Glass



Fume Glass



Bronze Glass

## ELEVATOR STRUCTURE TYPE

RAL Paint  
Stainless Steel

## DOOR TYPE

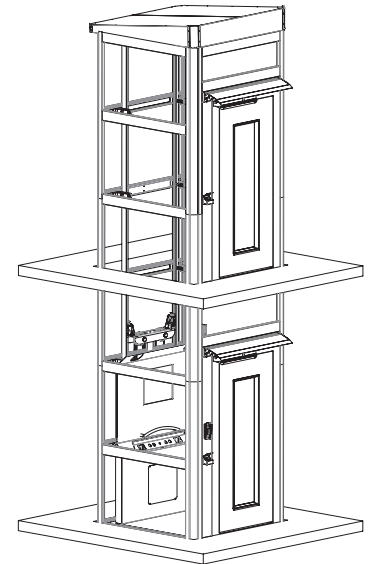
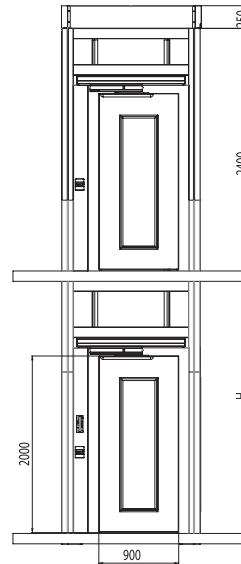
Full Height Glass Door  
Half Height Glass Door

SAFETY TOP TABLE



SAFETY SUB-TRAY

# EPL 91 ENCLOSED PLATFORM LIFT



Easy and trouble-free installation in any area as it does not require a pit



This model has wide area of usage. The drive system of the lift can be Hydraulic or Screw. It can be used safely and meet your requirements indoor and outdoor. The lift is easy to install and can be placed directly onto the floor, not required pit. It does not need extra construction during the installation. It has 7 stops and helps to customer not to waste time. The outdoor lift is equipped to resist to extreme weather conditions.

Area of usage: Schools, Temples, Police stations, Rehabilitation centers, Public institutions, Private health institutions, Training centers. KP 901 model is produced within the standards of 2006/42 / EC regulations and supplied to the market with CE certificate. User and environment safety are in the highest level.

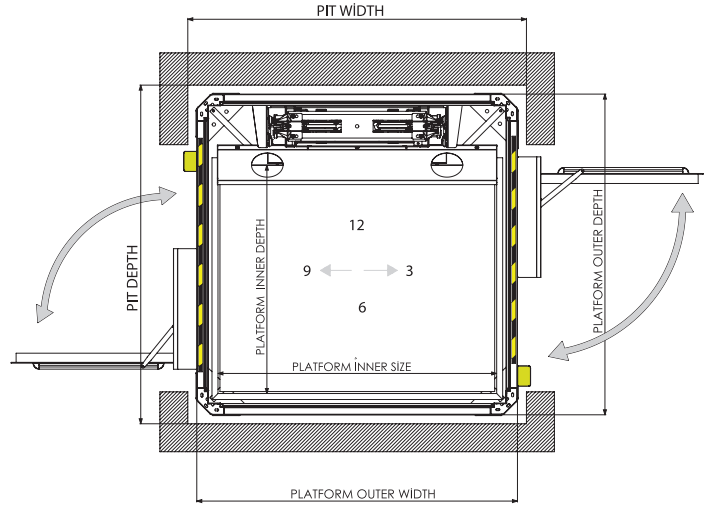
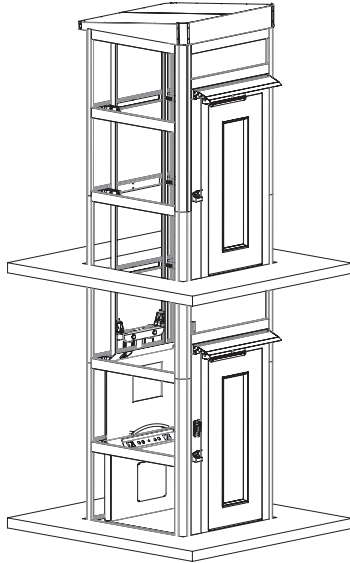
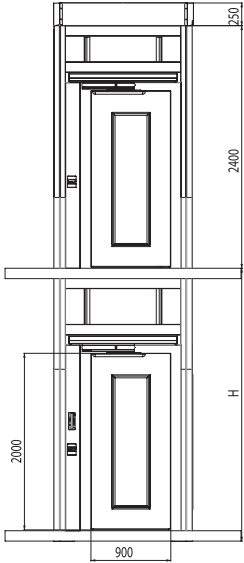


#### TECHNICAL SPECIFICATIONS

|                              |  |
|------------------------------|--|
| Drive Type                   | Hydraulic / Worm Screw                                       |
| Load Capability              | 315 / 400 kg   |
| Distance                     | 15 mt  |
| Speed                        | 0,15 mt/sec  |
| Platform Internal Dimensions | 1100*1400 mm / (Standard Dimension)                          |
| Platform External Dimensions | 1600*1600 mm / (Standard Dimension)                          |
| Pit                          | 120 mm - 150 mm - 250 mm                                     |
| Door                         | Fully Automatic  |
| Emergency Rescue System      | Ups / Manual   |
| Announcement System          | 3 Languages / Turkish, English, Arabic                       |
| Intercom System              | Available  |
| Main power requirement       | 220 V AC - 50 Hz - Monofaze / 380 V AC - 50 Hz - Three Phase |



# EPL 91 ENCLOSED PLATFORM LIFT



**CABIN HEIGHT**  
2.500 mm



**INSTALLATION**  
In 3-4 Days



**POWER SUPPLY**  
220 - 380 v (AC)



**TOTAL SPEED**  
0,15 m/s



**GUARANTEE**  
2 Years



**FLOOR NUMBER**  
7



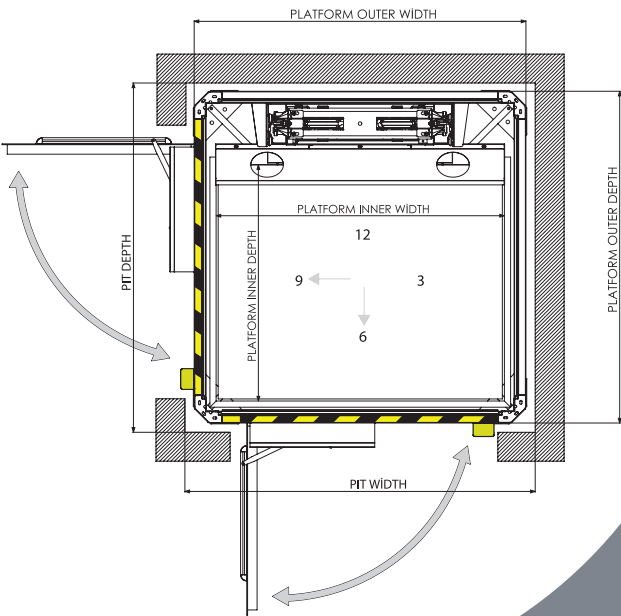
**DRIVE SYSTEM**  
Hydraulic - Screw



**TRAVEL HEIGHT**  
15 m



**CABIN OPTIONS**  
- Platform  
Elevator Cabin



## GLASS COLOR OPTIONS



Transparent Glass



Blue Glass



Fume Glass



Bronze Glass

## ELEVATOR STRUCTURE COLOR



RAL 7012



RAL 7016



RAL 7032



RAL 7035



RAL 9005



RAL 9016



## ELEVATOR STRUCTURE TYPE

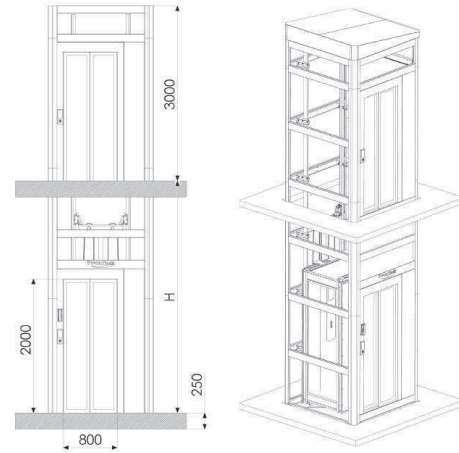
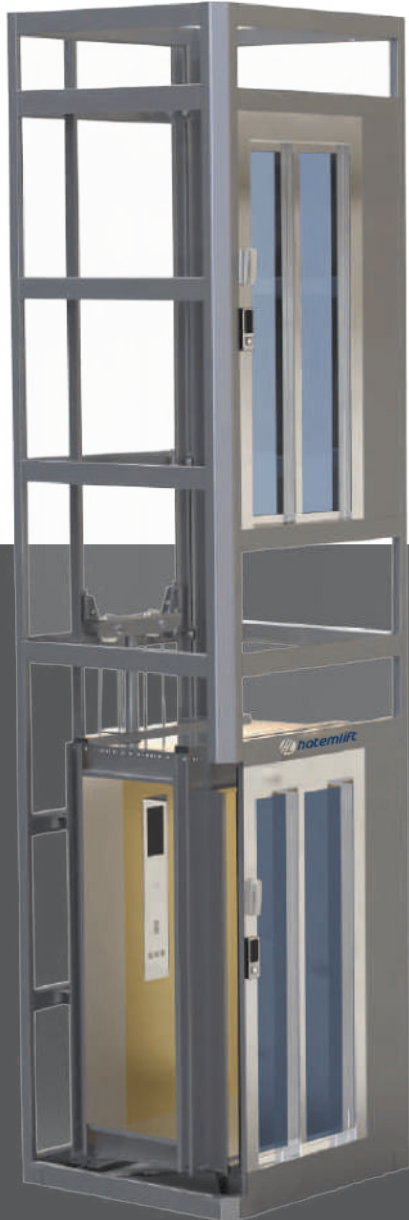
- RAL Boyalı / RAL Paint

## DOOR TYPE

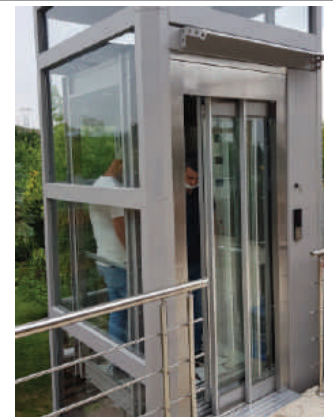
Circleslide Automatic Door  
 Door  
 Telescopic Door  
 Manual Door

**EPL901**

**CABIN - TELESCOPIC  
CLOSED PLATFORM**



Easy and trouble-free installation in any area as it does not require a pit





This model has wide area of usage. The drive system of the Lift can be Hydraulic or Screw. It can be used safely and meet your requirements indoor and outdoor. The lift is easy to install and can be placed directly onto the floor, not required pit. It does not need extra construction during the installation. It has 7 stops and helps to customer not to waste time. The outdoor lift is equipped to resist to extreme weather conditions.

Area of usage: Schools, Temples, Police stations, Rehabilitation centers, Public institutions, Private health institutions, Training centers. KP 901 model is produced within the standards of 2006/42 / EC regulations and supplied to the market with CE certificate. User and environment safety are in the highest level.

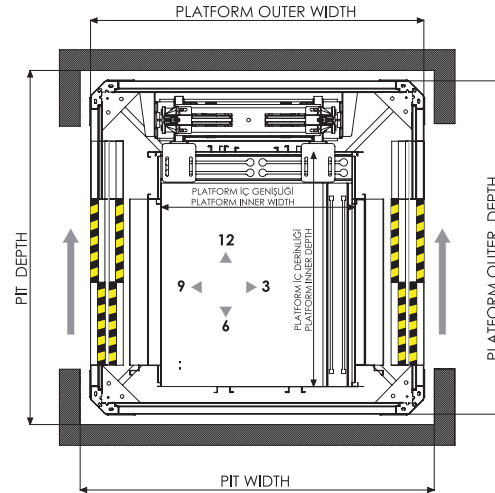
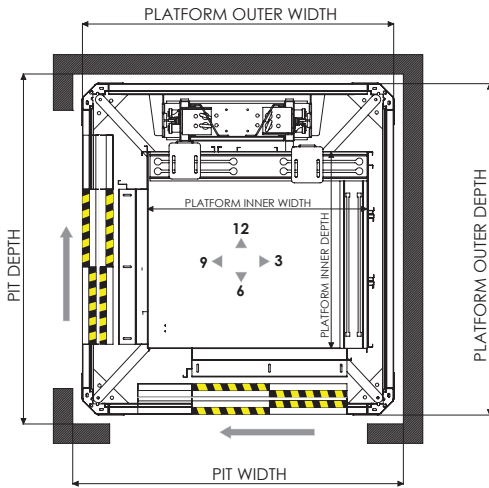


| TECHNICAL SPECIFICATIONS |   |
|--------------------------|---|
| Product Information      | KP 901 Cabin type technical specification   |
| Number of Stop           | Min. 2 stops (Diagonal)<br>Minimum 500 mm<br>Maximum optional   |
| Travel Distance          | Minimum 0,07 mt/sn<br>Maximum 0,40 mt/sn  |
| Speed                    | Minimum 250 kg<br>Maximum 400 kg  |
| Carrying capacity        | Laser Cut Steel ESB Painted   |
| Steel Structure          | White Glass<br>Fumed Glass<br>Colored Glass (Green, yellow, Blue)<br>Composite (colored)  |
| Steel Structure Coating  | Swing Door (Circular Automatic Door)<br>Telescopic Door (Full Automatic)<br>Telescopic Door with Glass (Full Automatic)<br>Folding Door (Automatic) |
| Doors                    |   |

| TECHNICAL SPECIFICATIONS               |   |
|--|---|
| Floor door size                        | Minimum 600x2000mm<br>Maximum 900x2000 mm<br>Minimum 600x2000mm         |
| Cabin door size<br>Platform inner size | Maximum 900x2000 mm<br>Minimum 750x440mm<br>Maximum 1100*1300 mm        |
| Platform outer size                    | Minimum 1000x1000mm<br>Maximum 1600*1600 mm                             |
| Platform outer color                   | RAL 7012 - 7016 - 7032 - 7035   |
| Cabin                                  | Yes   |
| Cabin coating                          | 304 Quality Stainless Steel<br>Decostil Cabin<br>Glass Cabin            |
| Drive system                           | Wooden Cabin<br>Double Speed Hydraulic,<br>Soft Stop Start, Silent Unit |
| Announce system                        | Yes (Turkish, Arabic, English, Russian)                                 |
| Pit depth                              | Minimum 250 mm  |

# EPL901

## ENCLOSED PLATFORM LIFT WITH CABIN



**CABIN HEIGHT**  
2.500 mm



**INSTALLATION**  
In 4 Days



**POWER SUPPLY**  
220 - 380 v (AC)



**TOTAL SPEED**  
0,15 m/s-0,40 m/s



**GUARANTEE**  
2 Years



**FLOOR NUMBER**  
7



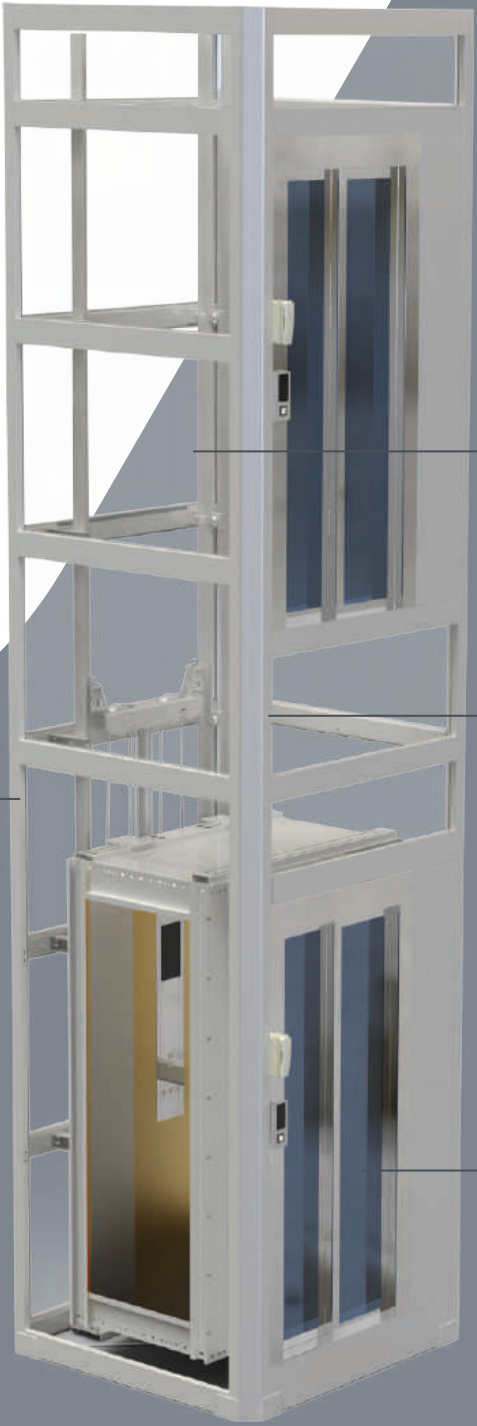
**DRIVE SYSTEM**  
Hydraulic



**TRAVEL HEIGHT**  
15 m



**CABIN OPTIONS**  
- Platform  
- Elevator Cabin



**GLASS COLOR OPTIONS**



Transparent Glass



Blue Glass



Fume Glass



Bronze Glass

**ELEVATOR STRUCTURE TYPE**

RAL Paint

**DOOR TYPE**

- Circleslide Automatic
- Door
- Telescopic Door
- Manual Door

**ELEVATOR STRUCTURE COLOR**



RAL 7012



RAL 7016



RAL 7032



RAL 7035



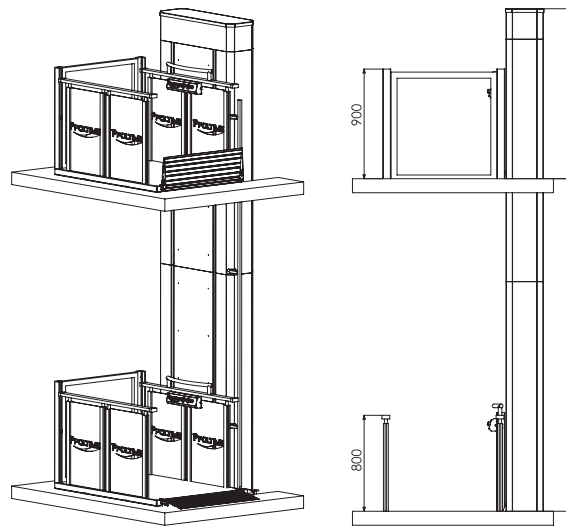
RAL 9005



RAL 9016



# CTCP 901 OPEN PLATFORMLIFT



User and environmental safety is kept at the highest Level



This model structured on double pillars. It has high safety standards and stylish. It can be used safely inside and outside. The outer cover is made of steel sheet with a electrostatic coating (stainless steel cover is optional). Does not required pit and can travel up to 3 meter height

Areas of usage; School, Temples, Police station, Rehabilitation center, Public institutions, Hotels, Health facilities, Training centers, Housing estates

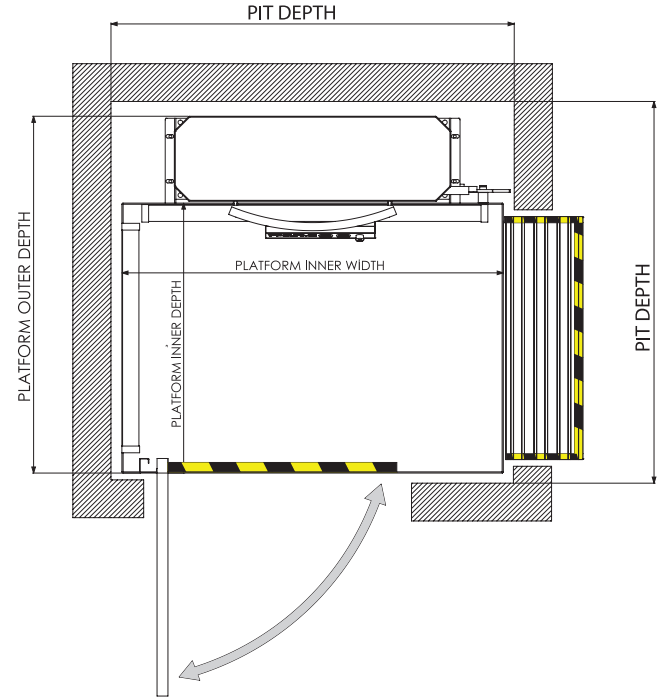
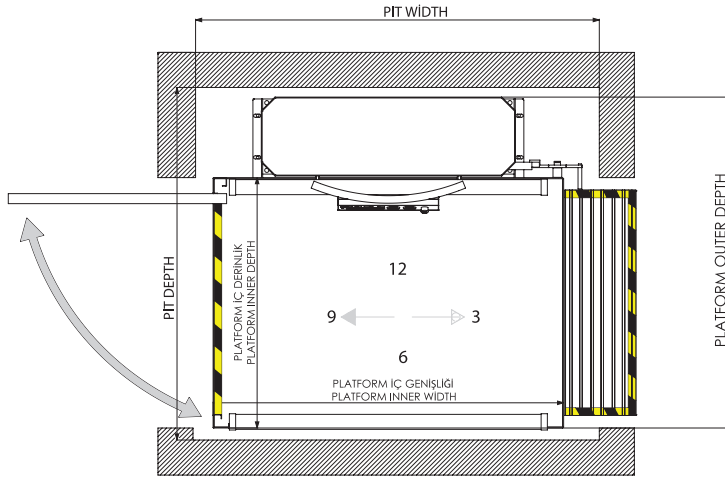
MK 901 model is manufactured within the standards of 2006/42 / EC and is presented to the market with CE marking. User and environment safety are in highest level.



#### TECHNICAL SPECIFICATIONS

|                              |   |
|------------------------------|---|
| Drive Type                   | Hydraulic / Screw   |
| Carrying Capacity            | 315 kg  |
| Maximum Travel Distance      | 3 mt  |
| Working Speed                | 0,15 mt/sec   |
| Platform Internal Dimensions | 900*1400 mm / (Standart Dimension)                              |
| Platform External Dimensions | 1400*1400 mm / (Standard Dimension)                             |
| Pit                          | 100 mm  |
| Door                         | Automatic Locking-Safety Switch (Optional)                      |
| Controls                     | Locked Controls On Floors And Platform<br>Emergency Stop Button |
| Safety                       | Anti Jamming Switches Under The Table /                         |
| Main power requirement       | Bellows (Optional)  |

# CTCP 901 OPEN PLATFORM LIFT



**CABIN HEIGHT**  
1000 mm



**INSTALLATION**  
In 1-2 Days



**POWER SUPPLY**  
220 - 380 v (AC)



**TOTAL SPEED**  
0,15 m/s



**GUARANTEE**  
Years



**FLOOR NUMBER**  
2



**DRIVE SYSTEM**  
Hydraulic - Screw



**TRAVEL HEIGHT**  
3 m

## GLASS COLOR OPTIONS



Transparent Glass



Blue Glass



Fume Glass



Bronze Glass

## ELEVATOR STRUCTURE COLOR OPTIONS



RAL 7012



RAL 7016



RAL 7032



RAL 7035



RAL 9005



RAL 9016

## ELEVATOR STRUCTURE TYPE

-RAL Paint

-Stainless Steel

## DOOR TYPE

Circleslide

Automatic Door

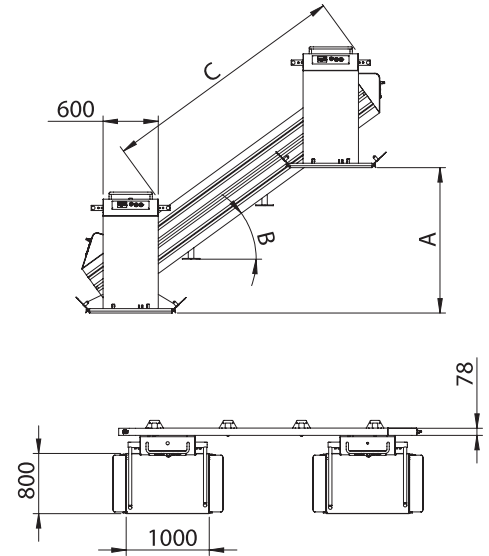
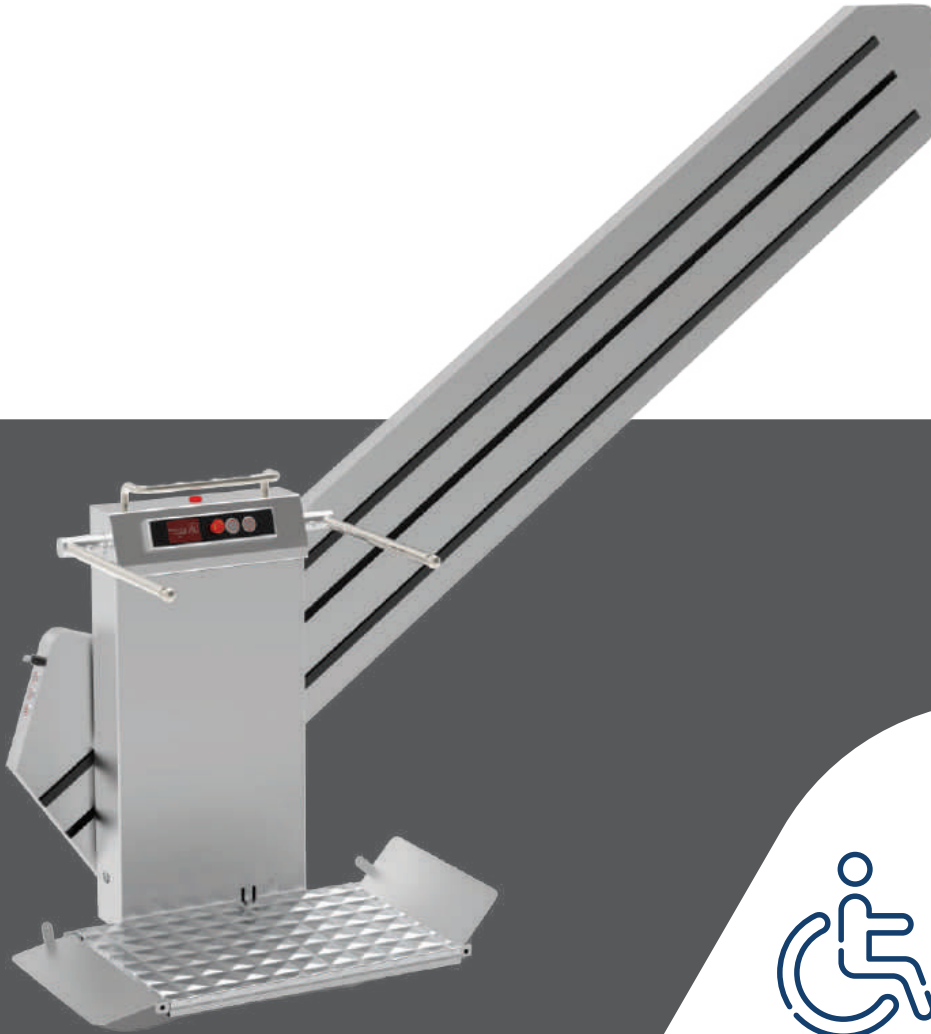
Manual Door





**STPL 901**

**HANDICAPPED STAIR  
STRAIGHT TYPE  
PLATFORM LIFT**



Automatically folds when  
not in use and does not  
occupy space



This model is suitable on indoor and outdoor stairs. It provides safe access for disabled or wheelchair users without the need for a companion. It moves on special rails mounted on the wall or steps with special feet on the stair edge. Exterior coating is made of steel sheet with an electrostatic coating (stainless steel cover is optional). When not in use, it folds automatically and does not occupy space.

Area of usage; School, Temples, Police station, Rehabilitation center, Public institutions, Hotels, Health facilities, Training centers, Housing estates.

model is manufactured within the standards of 2006/42 / AT and presented to the market with CE marking. User and environment safety are in the highest level.

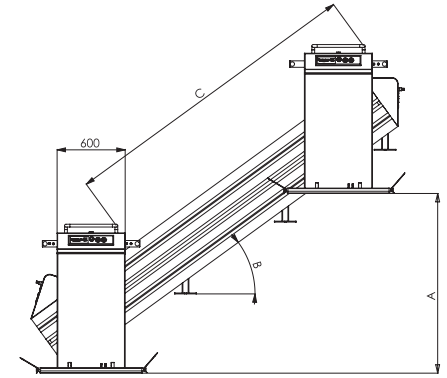
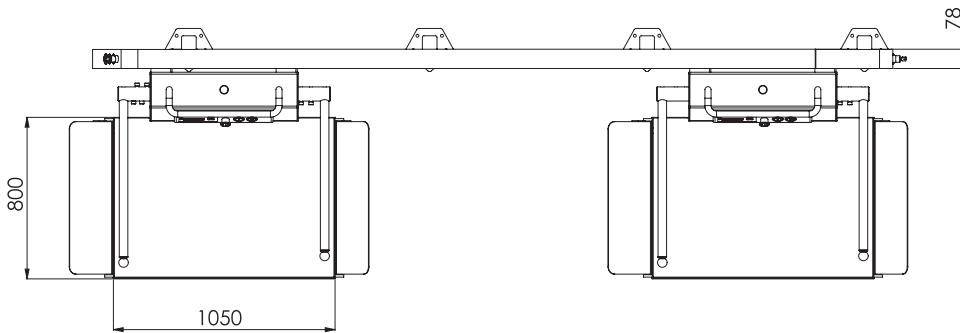


#### TECHNICAL SPECIFICATIONS

|                              |  |
|------------------------------|--|
| Application                  | Straight Stairs / Indoor-Outdoor   |
| Drive Type                   | Gear System  |
| Carrying Capacity            | 225 kg   |
| Working Speed                | 0,07 / 0,15 mt/sec   |
| Rail System                  | Linear Guideway System   |
| Escalation Angle             | 45 Degrees   |
| Table Closing-Opening        | Fully Automatic  |
| Safety Arm Mechanism         | Fully Automatic  |
| Table Ramp                   | Fully Automatic  |
| Controls                     | Call by switch at stops, button for movement on platform and ground. Emergency stop button |
| Safety System                | Anti jamming switch system under the table   |
| Main power requirement       | 220 V AC - 50 Hz - Single Phase  |
| Platform Internal Dimensions | 800*1050 mm / (Standard Dimension)   |

**STPL 901**

**HANDICAPPED STAIR  
STRAIGHT TYPE  
PLATFORM LIFT**



**TRAVEL HEIGHT**

17 m



**INSTALLATION**

In 1 Days



**POWER SUPPLY**

220 v



**TOTAL SPEED**

0,15 m/s



**GUARANTEE**

2 Years



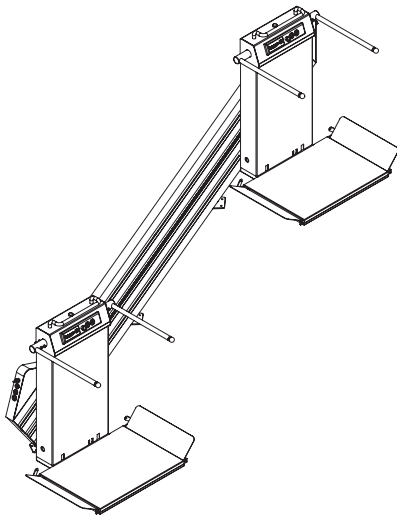
**DRIVE SYSTEM**

Screw

## ELEVATOR STRUCTURE TYPE

RAL Paint

Stainles Steel



## ELEVATOR STRUCTURE COLOR OPTIONS



RAL 7012



RAL 7016



RAL 7032



RAL 7035



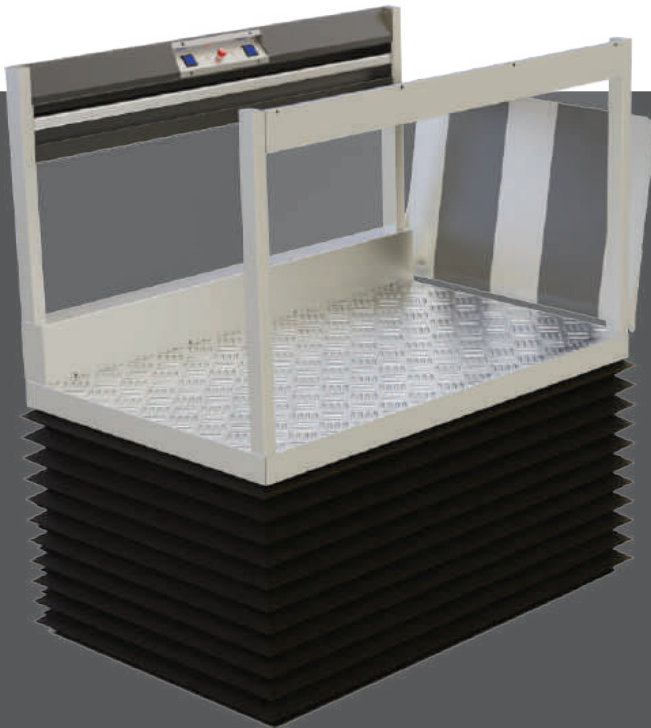
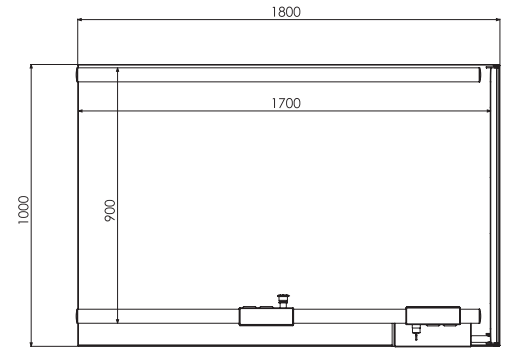
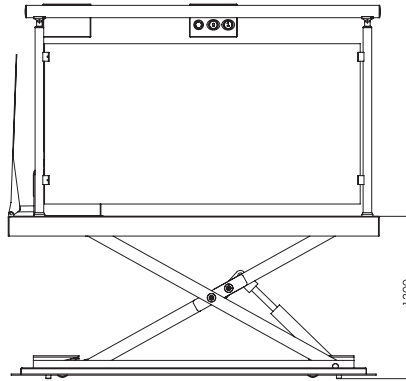
RAL 9005



RAL 9016



# OPL901 SCISSORS PLATFORM LIFT



Turkey's leading scissor type platform lift with its automatic motorized closing and opening ramp, it facilitates the entrance of the disabled wheelchair and creates a firewall when it moves.





This is a new designed product in Turkey and ahead of its competitors with 9 cm close distance feature. It does not require construction work with its small and elegant structure. It is suitable for indoor and outdoor use. External structure ESB painted and stainless steel options are available. The automatic motorized ramp facility makes easier the entry of the wheelchair. During the movement automatically close it and creates a safety wall.

Area of usage; School, Temples, Police station, Rehabilitation center, Public institutions, Hotels, Health facilities, Training centers, Housing estates.

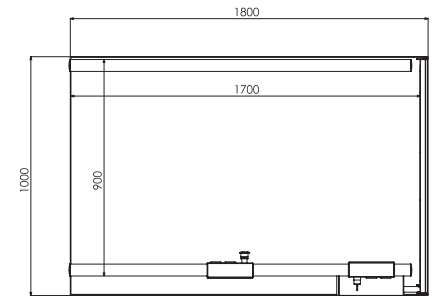
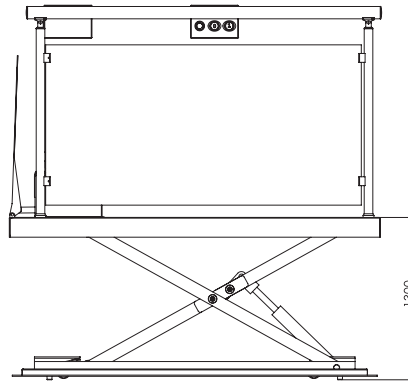
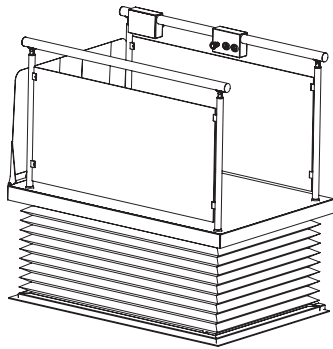
MKS 58 models is produced within the standards of 2006/42 / EC and presented to the consumer with CE certificate. User and environment safety are in the highest level.



#### TECHNICAL SPECIFICATIONS

|                              |  |
|------------------------------|--|
| Drive Type                   | Hydraulic  |
| Carrying Capacity            | 315 kg   |
| Maximum Travel Distance      | 1300 mm  |
| Working Speed                | 0,1 mt/sec   |
| Platform Internal Dimensions | 900*1400 mm / (Standard Dimension)<br>900*1800 mm / (Standard Dimension)           |
| Platform External Dimensions | 900*1400 mm / (Standard Dimension)<br>900*1800 mm / (Standard Dimension)           |
| Pit                          | 100 mm   |
| Door                         | Automatic Locking-Safety Switch (Optional)   |
| Controls                     | Locked on floors, Emergency stop button, Extensible locked command on the platform |
| Platform Ramp                | Fully Automatic  |
| Safety Bellows               | Available  |
| Main power requirement       | 220 V Ac-50 Hz / 380 V Ac-50 Hz  |

# OPL901 SCISSORS PLATFORM LIFT



**CLOSED HEIGHT**  
100 mm



**INSTALLATION**  
In 1 Days



**POWER SUPPLY**  
220 V  
380 V



**TOTAL SPEED**  
0,15 m/s



**GUARANTEE**  
2 Years



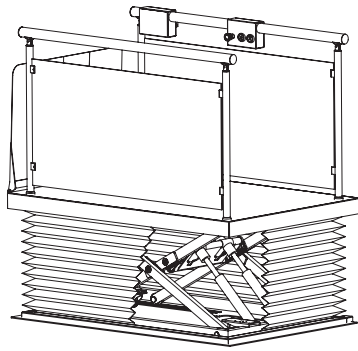
**FLOOR NUMBER**  
2



**DRIVE SYSTEM**  
Hydraulic



**TRAVEL HEIGHT**  
1300 mm



## GLASS COLOR OPTIONS



Transparent Glass



Blue Glass



Fume Glass



Bronze Glass

## DOOR TYPE

Circleslide

Automatic Door

Manual Door

## ELEVATOR STRUCTURE COLOR OPTIONS



RAL 7012



RAL 7016



RAL 7032



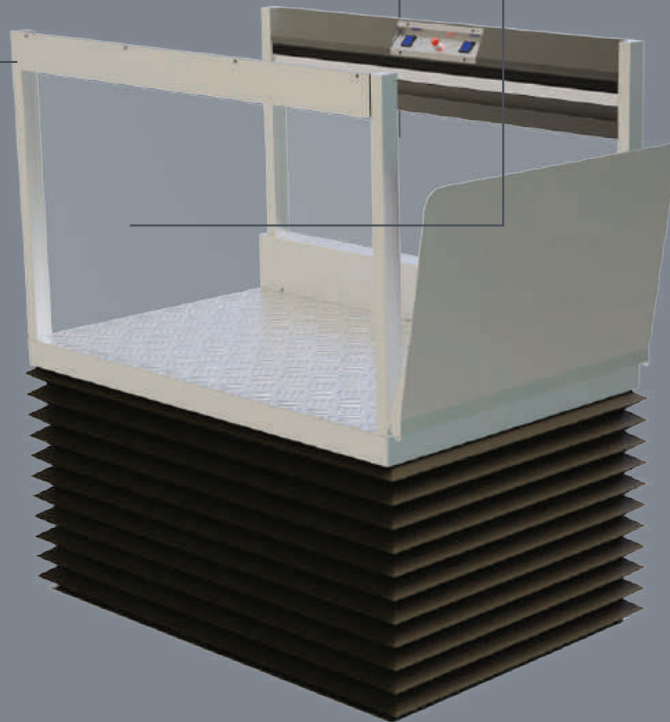
RAL 7035



RAL 9005



RAL 9016



# STPL 901 HANDICAPPED STAIR CURVED TYPE PLATFORM LIFT



High-tech wheeled staircase for curved and spiral staircases without needing help getting in and out of your chair is a platform type stair lift model that you can use. Interior and exterior suitable for indoor applications. Once the platform is installed, the side From the moment it stops closed, the stairs can be fully used. Construction no cost and has a loading capacity of 300 kg.

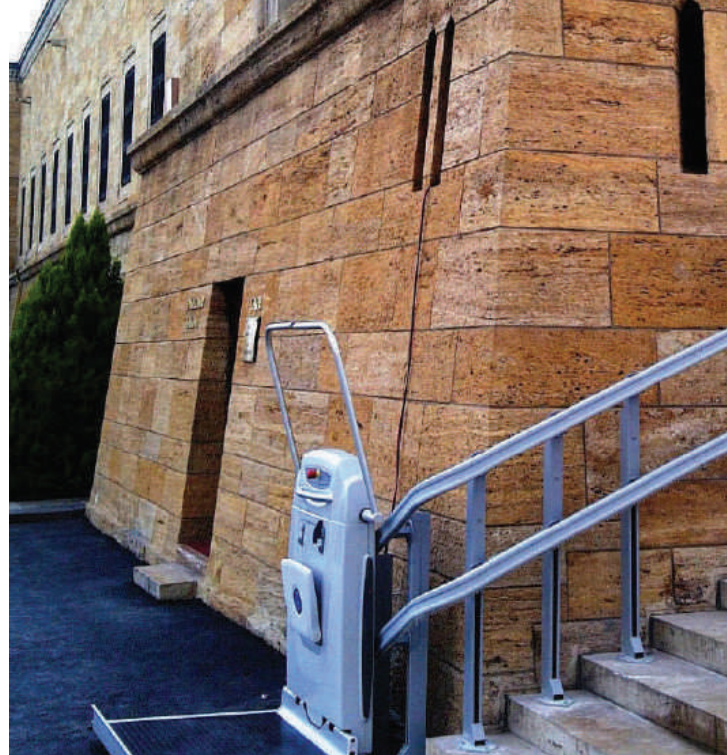
Horizontal type The platform lift brings functionality to the family environment with its first-class design. and elegance. Soft colors, rounded shapes, foldable safety bars, minimum obstacle, platform type stair lifts will meet your expectations. meets. Translated with DeepL.com (free version)

The design specific for curved and revolving stairs that adds functionality and elegance with its strong and modern structure





Advanced technology developed for curved and spiral staircases; It is a stairlift model that helps you get in and out of your wheelchair without getting help from anyone . It is suitable for indoor and outdoor use. It does not require any expense. It has a loading capacity of 300 kg. It is a curved type platform lift with its first class design, which is suitable for family environment. It adds functionality and elegance. With its soft colors, round shapes, foldable safety bars, it meets your expectations.

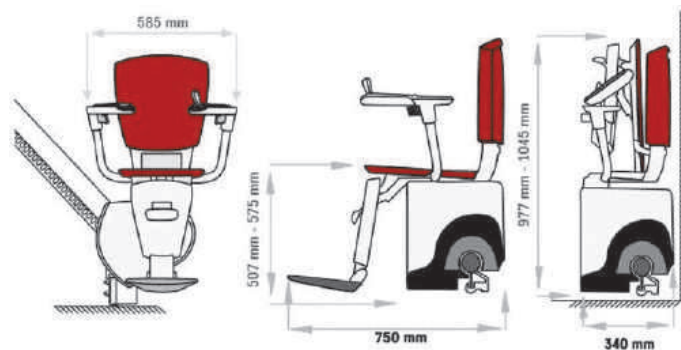


| TECHNICAL SPECIFICATIONS |   |
|--------------------------|---|
| Application              | It can be applied indoors and outdoors with variable slope or curved staircase. |
| Carrying Capacity        | 300 Kg  |
| Speed                    | 0,07 m/s standard speed 0,13 m/s faster speed and smooth drive (optional)       |
| Stair Width              | 1500 mm   |
| Lower Landing            | 1700 mm   |
| Access                   | 180°  |
| Rail                     | Consists of RAL 9006 epoxy painted double aluminum profile                      |
| Rail Connection          | With metal feet to the floor or connection consoles to the wall                 |
| Dimensions (mm) (LxP)    | With dimensions starting from 650 x 860   |
| Platform Structure       | Galvanized steel and aluminum with PVC coated                                   |
| Platform Colour          | RAL 7047  |

| TECHNICAL SPECIFICATIONS |  |
|--------------------------|--|
| Type                     | Automatic opening and closing platform, with protection arms and access ramps  |
| Floor Controls           | Up / Down command by pressing continuously with ergonomic key  |
| Platform Controls        | Ergonomic hard-pressed command key; Emergency stop button; Locking   |
| Power                    | 230V, single phase, 50HZ , 16A   |
| Voltage                  | 24V  |
| Max.Power                | 0,75kW   |
| Drive System             | Top mounted system   |
| Safety                   | Speed limiter, constant pressure commands, anti-crush and anti-impact on platform, anti-jamming safety arrangement, double electrical circuit protection; emergency stop button; locking |
| Standard                 | Machine router 2006/42/EC , EN81-40:2009   |
| Optional                 | Remote control, anti-power system, folding eat   |



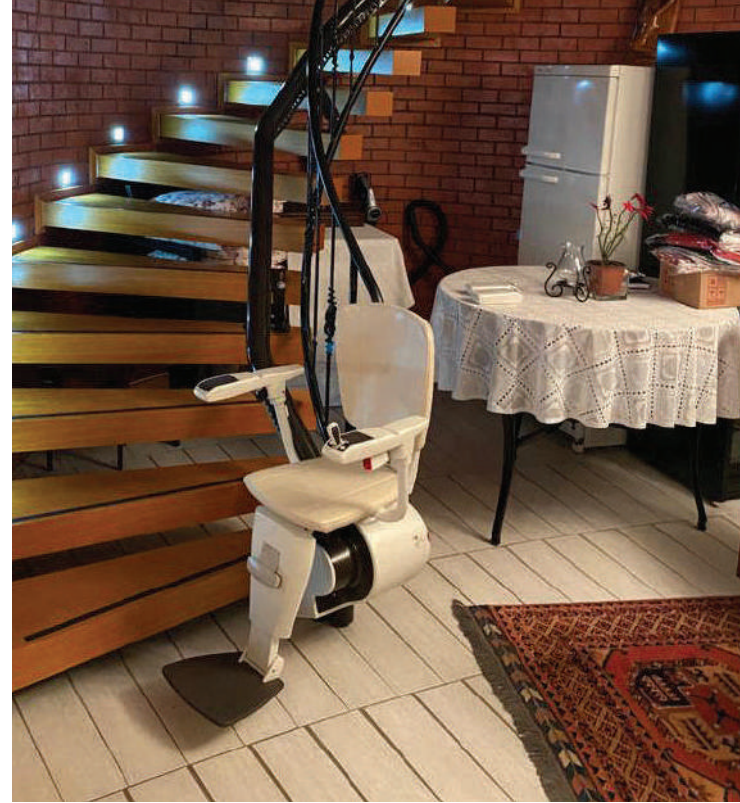
# SCL 62 STAIR CHAIR LIFT



With its strong and simple design, it is an elegant product that meets requirement at accessibility.



Seat Type Stair Lift is a simple and perfect product designed for elderly and disabled people and can work in all kinds of staircase structures. All kinds of safety measures have been considered in order to ensure safe travel of the users. With its strong and simple design, it is an elegant product that meets the requirements of accessibility.

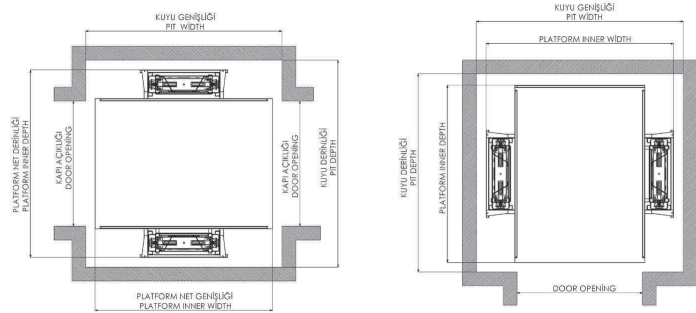
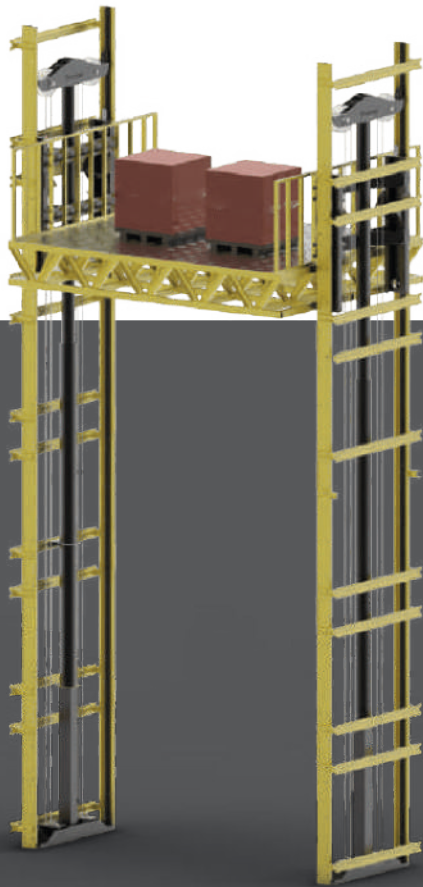


#### TECHNICAL SPECIFICATIONS

|                        |   |
|------------------------|---|
| Application            | Straight and Swivel Stairs / Indoor-Outdoor |
| Drive Type             | Gear System                                 |
| Carrying Capacity      | 130 - 150 kg                                |
| Working Speed          | 0,07 / 0,13 m/sec                           |
| Rail System            | Special Aluminum Guide System               |
| Escalation Angle       | 45 Degrees                                  |
| Call Button            | Remote Control                              |
| Seat Type              | Folding And Swivel Seat                     |
| Charging Points        | Auto Charging in Stops                      |
| Safety System          | Seat Belt-Support Arms-Contact Switches     |
| Main Power Requirement | 220 V AC - 50Hz - Single Phase              |

**DCPL 50**

**DOUBLE PISTON  
CARGO PLATFORM LIFT**



It is possible to make it with a capacity of 20.000 kilograms and a height of 15 meters.





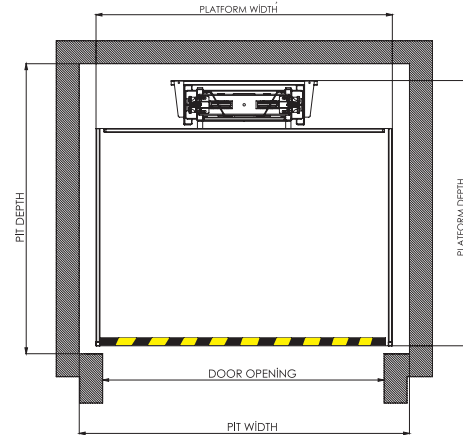
The platform is large and it is preferred in places with high lifting capacity. It is able to lift up to 20.000 kg load and able to lift from ground to 15 meter height. The platform dimensions will be specified according to customer needs. Reciprocating double rail and double piston are used. There is no need for a deep pit and additional spaces on the last floor. There is no need for a separate machine room like a passenger elevators and more economical than the elevators. Installation, commissioning and maintenance costs are low. All necessary safety precautions have been taken regarding the environmen and freight. Area of usage; Car lifts, warehouses, shopping malls, factories and places with shorter floor and level difference etc.



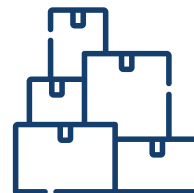
#### TECHNICAL SPECIFICATIONS

|                              |                                     |
|------------------------------|-------------------------------------|
| Drive Type                   | Hydraulic                           |
| Carrying Capacity            | 500-20.000 kg                       |
| Max. Travel Distance         | 15.000 mm                           |
| Working Speed                | 0.15 m/sn                           |
| Platform External Dimensions | 3300 x 2600 / ( Special Dimension ) |
| Platform Internal Dimensions | 2500 x 2500 / ( Special Dimension ) |
| Pit                          | According to the project            |
| Steel Construction           | According to the project            |
| Main Power Requirement       | 380 V AC - 50 Hz - Three Phase      |
| Emergency Rescue System      | Ups / Manual                        |

# PCPL 15 SINGLE PISTON CARGO PLATFORM LIFT

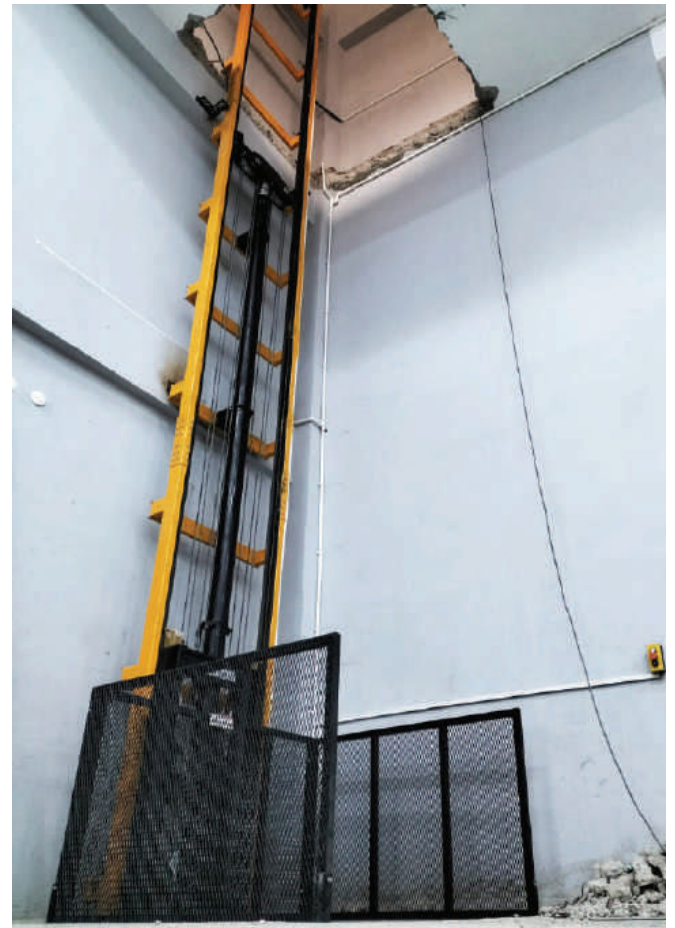


It is possible to make it with a capacity of 5.000 kilograms and a height of 15 meters.





It is able to lift from 100 kg to 3000 kg freights. Lifting distance is 15 meter height from floor. Platform dimensions will be specified according to customer needs. Optionally, safety rail will mount on and around the platform. 3 sides of the platform are suitable for unloading. There is no need for pit at bottom and top floor space. There is no need for a separate machine room like elevators. Moreover, it is economical than the elevators. Installation, commissioning and maintenance costs are low. All necessary safety precautions have been taken regarding the environment and freight. Usage areas; car lifts, warehouses, shopping malls, factories and etc.



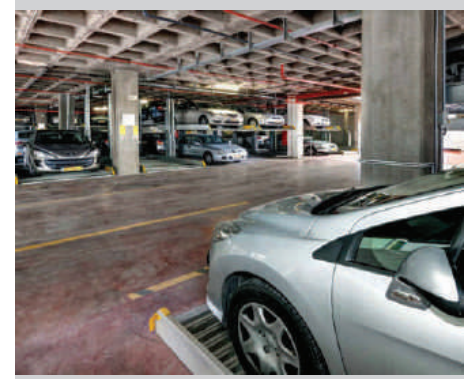
#### TECHNICAL SPECIFICATIONS

|                              |                                     |
|------------------------------|-------------------------------------|
| Drive Type                   | Hydraulic                           |
| Carrying Capacity            | 100-3.000 kg                        |
| Max. Travel Distance         | 15.000 mm                           |
| Working Speed                | 0.15 m/sn                           |
| Platform External Dimensions | 1600 x 1900 / ( Special Dimension ) |
| Platform Internal Dimensions | 1500 x 1500 / ( Special Dimension ) |
| Pit                          | According to the project            |
| Steel Construction           | According to the project            |
| Main Power Requirement       | 380 V AC - 50 Hz - Three Phase      |
| Emergency Rescue System      | Ups / Manual                        |

# PPL 62 PARKING PLATFORM LIFT



it provides the opportunity to  
park 2 vehicles at the point where  
1 vehicle is parked





It allows you to use your car parking efficiently. It is Designed to minimize the space required for parking.

Downstairs places for visitors and upstairs parking spaces for permanent users low maintenance and cost. Wear-resistant mobile joints, and proven hydraulic technology.

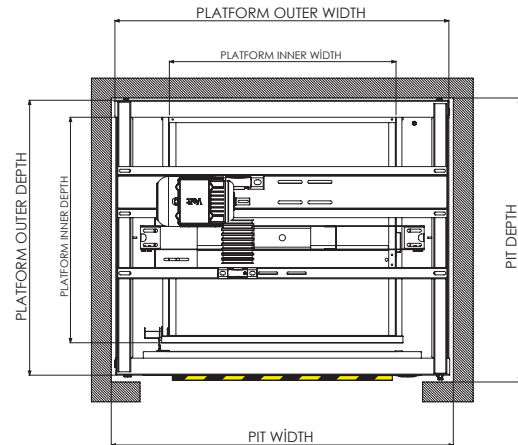
When our parking will turned into living spaces. It would more valuable to us. For the moving in this direction, more reliable and more efficient vehicle lifts were produced. Isolate your vehicle from external influences, maximum provide security for your vehicle. Create more spaces in your garden. Be the first to get one parking for two vehicles by this privilege.



#### TECHNICAL SPECIFICATIONS

|                              |   |
|------------------------------|---|
| Drive System                 | Hydraulic                               |
| Carrying Capacity            | 2500 - 10000 kg                         |
| Max. Travel Distance         | 15.000 mm                               |
| Working Speed                | 0.15 m/sn                               |
| Platform Internal Dimensions | 2800 x 5000 mm / ( Special Dimensions ) |
| Platform External Dimensions | 3600 x 5100 mm / ( Special Dimensions ) |
| Pit                          | According to the Project                |
| Emergency Rescue System      | Ups / Manual                            |
| Main Power Requirement       | 380 V AC - 50 HZ - Three Phase          |

# FPL 80 FOOD PLATFORM LIFT



The quickest way to send your meal without it going cold



Dumbwaiters are mostly used for trays, tray trolleys, plates, glasses, and other items that must adhere to international standards. They are elevators with a cabin that no one can enter and are designed to transport small loads of varying size and shape. They have carrying capacities ranging from 50 kg to 300 kg. In most cases, guillotine doors are used.

**Application range** It is used to transport loads such as food, files, shopping baskets, and laundry trolleys in hospitals, restaurants, and shopping centers.



Our products comply with the Machine Safety Directions TS EN 81-41 ve 2006/42/EC and has CE certificate

| TECHNICAL SPECIFICATIONS |  |
|--------------------------|--|
| Product Information      | Dumbwaiter technical specification (En)  |
| Number Of Stop           | Min. 2 stops (Diagonal) Max. 13 stops (Diagonal)                                     |
| Pit Depth                | Minimum 1200 mm Maximum 46000 mm   |
| Speed                    | Minimum 0,07 Mt/Sn Maximum 0,40 Mt/Sn  |
| Carrying Capacity        | Minimum 150 Kg Maximum 250 Kg  |
| Cabin Inner Size         | Minimum 300x300 mm Maximum 1200x1200 mm  |
| Platform Outer Size      | Minimum 650x550 mm Maximum 1550x1450 mm  |
| Cabin Feature            | 304 quality stainless steel  |
| Platform Floor Covering  | Stainless Steel  |
| Motor                    | Minimum Bonfiglioli (0,75 Kw - 380 Volt)<br>Maximum Bonfiglioli (1,50 Kw - 380 Volt) |
| Control Panel            | Arkel ARL 100  |
| Drive System             | Hoist Drum<br>Counter Weighted<br>Side Weighted                                      |

| TECHNICAL SPECIFICATIONS |  |
|--------------------------|--|
| Floor Call Buttons       | Buton  |
| Steel Structure          | Yes<br>No  |
| Steel Structure Coating  | Galvanized   |
| Well Coating Material    | No   |
| Main Power Requirement   | 380 Volt AC, 50 Hz, 3 Phase  |
| Floor Door               | Minimum 300x300 mm Giyotin Stainless Steel / Manual<br>Maximum 1200x1200 mm Giyotin Stainless Steel / Manual |
| Rail                     | 50x50x5  |
| Steel Rope               | 6.5 mm Steel   |



# VEHICLE PLATFORM

Special products are made in the desired weight capacity and dimensions.

| TECHNICAL SPECIFICATIONS |          |
|--------------------------|----------|
| Working height           | 8,500 cm |
| Platform Height (Open)   | 7,500 cm |
| Basket Size (Closed)     | 565 cm   |
| Platform Width           | 245 cm   |
| Platform Length          | 160 cm   |
| Weight                   | 3,5 TON  |

- The scissor lift is designed for vehicle lifting purposes only.
- CSPD.1: Single scissor vehicle platform
- CSPD.2: Two scissor vehicle platform
- CSPD.3: Three scissor vehicle platforms
- Lifting with single-action hydraulic cylinder
- Hydraulic cylinders will be made of honed pipes and chrome-plated shafts.
- Hose burst valve preventing free fall in case of hose explosion
- Scissors will be made of ST-52 quality material.
- Connection pins will be made of chrome-plated shafts.
- Steel construction designed and manufactured according to load distribution
- Original hydraulic circuit package with bronze-coated bushings in moving parts
- Safety frame with a maintenance safety bar for service
- Photocell control system for safe vehicle parking on the platform
- The platform is designed to operate on smooth and solid ground.



# CONSTANT PLATFORM

Special products are made in the desired weight capacity and dimensions.

## TECHNICAL SPECIFICATIONS

|                        |        |
|------------------------|--------|
| Working height         | 600 cm |
| Platform Height (Open) | 400 cm |
| Basket Size (Closed)   | 130 cm |
| Platform Width         | 150 cm |
| Platform Length        | 600 cm |

- Hydraulic cylinders will be made of honed pipes and chrome plated shafts.
- The scissor platform is designed for lifting loads only.
- Lifting with single action hydraulic cylinder
- Hydraulic cylinders will be made of honed pipes and chrome plated shafts.
- Hose burst valve preventing free fall in hose explosion
- Scissors will be made of st-52 quality material.
- Connection pins will be made of chrome plated shaft.
- Steel construction designed and manufactured according to load distribution
- Original package hydraulic circuit
- Bronze coated bushings in moving parts
- With safety frame
- Maintenance safety bar for service
- Our products are CE certified according to EN 1570 standards.
- The platform is designed to operate on a smooth and solid ground.



# SINGLE PISTON FREIGHT LIFT

Special products are made in the desired weight capacity and dimensions.

| TECHNICAL SPECIFICATIONS |         |
|--------------------------|---------|
| Working height           | 600 cm  |
| Platform Height          | 120 cm  |
| Platform length          | 150 cm  |
| Load capacity            | 1000 kg |

- Vertical transportation needs of markets, industrial sites, supermarkets and multi-storey workshops, warehouses and logistics units are solved with our hydraulic platforms. We have compact systems with a speed of 0.20 m/s and a carrying capacity of 1000 and 2000 kg.
- They are systems that work with hydraulic oil pressure, used in the transfer of loads and goods between floors in factories and businesses.
- It is possible to manually lower the platform in case of power failure or a possible malfunction.
- A hose burst valve is used on all our platforms, which provides safety against hose bursting.
- With the high oil pressure applied by the hydraulic unit, the hydraulic cylinder and the steel rope provide the movement of the platform.
- Platform speed can be determined in the range of 0.0560 m/s, depending on the payload.



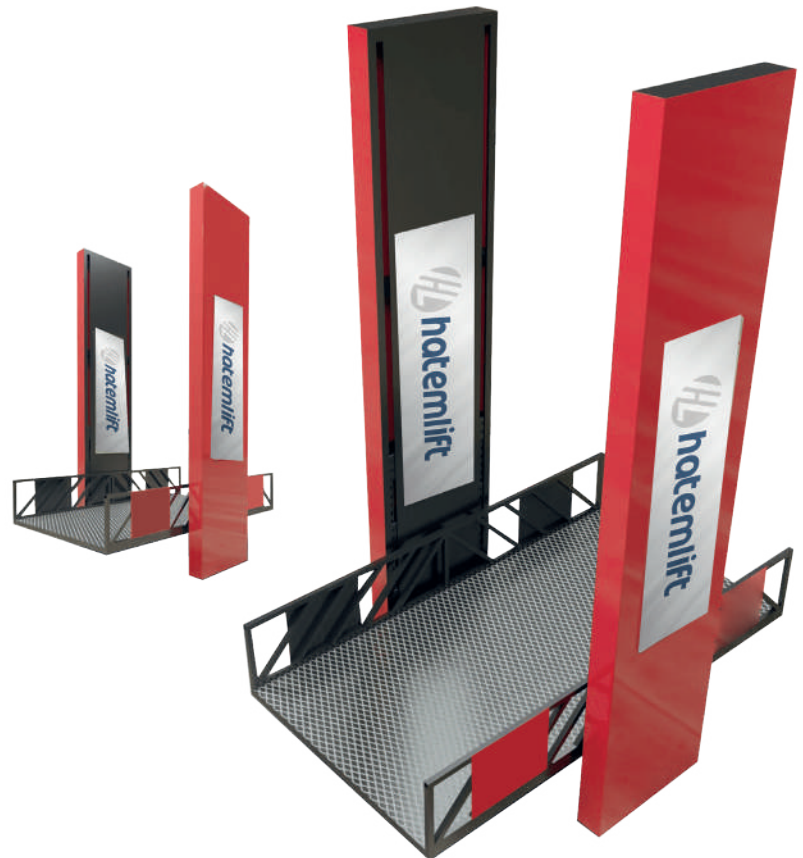
# DOUBLE PISTON FREIGHT LIFT

Special products are made in the desired weight capacity and dimensions.

## TECHNICAL SPECIFICATIONS

|                 |         |
|-----------------|---------|
| Working height  | 500 cm  |
| Platform Height | 200 cm  |
| Platform length | 400 cm  |
| Load capacity   | 3000 kg |

- Car lifts designed for car parks, automotive companies and car services are provided with our 2 and 4 piston system solutions with load capacities from 2,500 kg to 10,000 kg.
- They are systems that work with hydraulic oil pressure, used in the transfer of loads and goods between floors in factories and businesses.
- It is possible to manually lower the platform in case of power failure or a possible malfunction.
- A hose burst valve is used on all our platforms, which provides safety against hose bursting.
- With the high oil pressure applied by the hydraulic unit, the hydraulic cylinder and the steel rope provide the movement of the platform.
- Platform speed can be determined in the range of 0.05-40 m/s, depending on the











DISABLED  
SYSTEMS

SCISSOR TYPE  
PLATFORM

DUMBWAITER

MODULER  
SHAFTS

L CARCASE

LIFT  
ROPES

HOME  
LIFT



 Fevzi Çakmak Mah.10756 Sok.No:1/R  
Karatay/Konya/Türkiye

 +90 (332) 501 54 54

 sales@hatemlift.com

 www.hatemlift.com

